

TANZANIA PROJECT

Aichi
Small but Strong

The Project for Rehabilitation of Substation and Transmission Line in Kilimanjaro Region



* Facilities :

132/66kV 20MVA Transformer 1 unit (Kiyungi S/S)
66/33kV 10MVA Transformer 2 units (Makuyuni S/S)
33/11kV 17MVA Transformer 1 unit (YMCA S/S)
33/11kV 10MVA Transformer 2 units (KCMC S/S & Lawate S/S)
33kV & 11kV Switchgear

* Finance : Japanese Grant Aid

* Client : Tanzania Electric Supply Company Ltd

* Main Contractor : Mitsubishi Corporation

* Completion : February, 2013



Kiyungi Substation



Makuyuni Substation



YMCA Substation



Lawate Substation

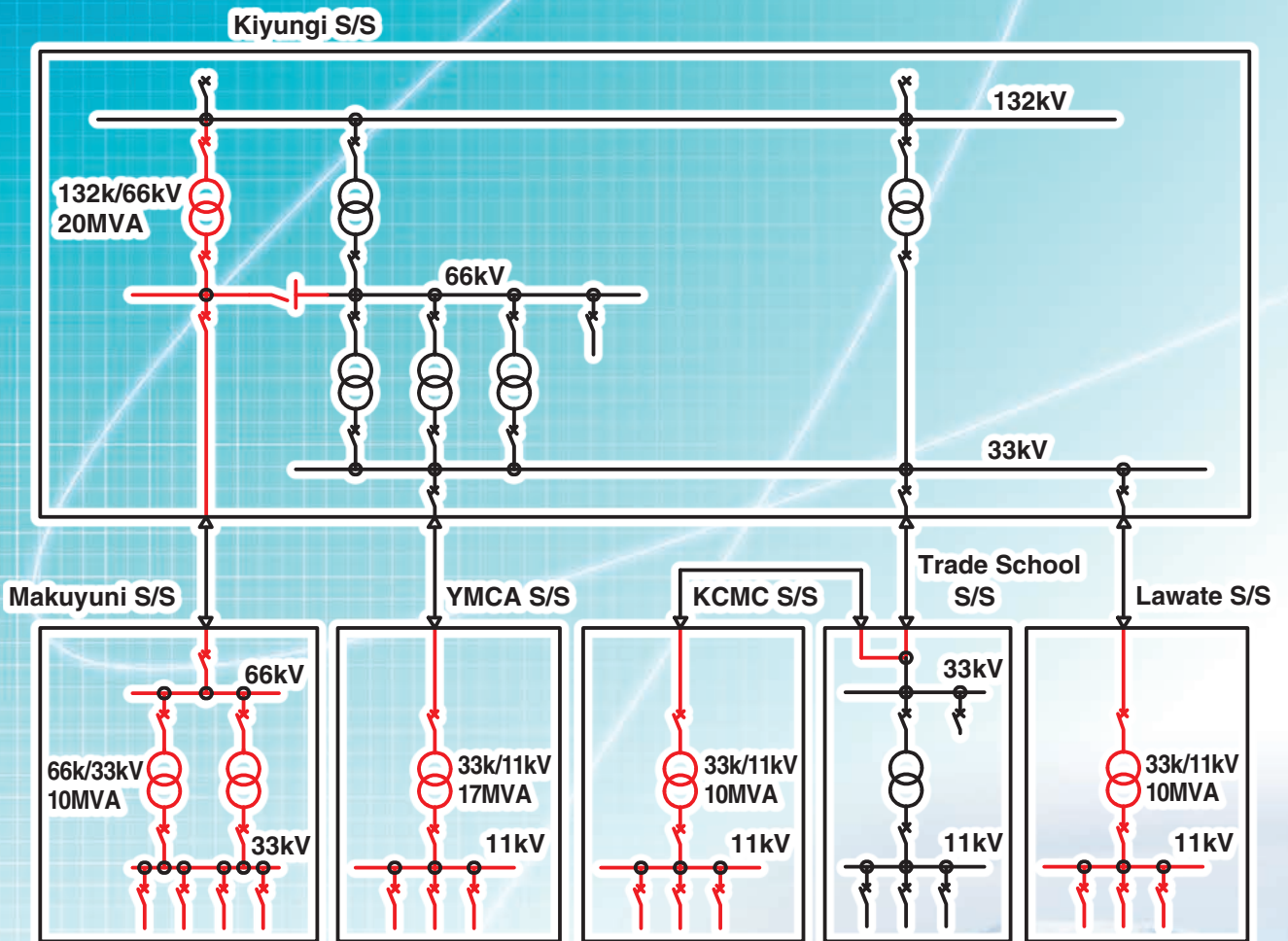
AICHI ELECTRIC CO., LTD.



Installation Work



Construction Work



The Single Line Diagram of Whole Project